



TC-H366V Spec:4MP/25X/IW/E/A/2.8mm

PTZ Camera

Pro Series



KEY FEATURES

- Up to Panorama:3840×1568@30fps Detail: 2560×1440@30fps
- Panorama:0.0001lux Detail:0.001Lux
- S+265/H.265/H.264B/H.264M/H.264H/Motion JPEG
- Support microSD/microSDHC/microSDXC card, up to 512GB
- Support smart surveillance, detect up to 32 faces at the same scene
- Support human/vehicle classification
- Operating conditions -30°C~65°C(-22°F~149°F), ≤95%RH
- AC24V±25%\DC24V±10%, PoE:IEEE 802.3bt
- IP66

SPECIFICATIONS

Camera	
Image Sensor	Panorama:1/1.8"CMOS Detail:1/2.7"CMOS
Min. Illumination	Panorama:0.0001lux Detail:0.001Lux
Shutter Time	1s~1/100000s
Day&Night	Panorama:Fixed IR-cut Detail:IR-cut filter with auto switch (ICR)
Smart IR	Yes
WDR	Panorama:DWDR Detail:120dB
S/N	Panorama:42dB Detail:39dB
Lens	
Focal Length	Panorama:2.8mm Detail:4.8mm~120mm
Optical Zoom	Panorama:N/A Detail:25X
Digital Zoom	Panorama:N/A Detail:16X
Zoom Speed	Panorama:N/A Detail:<5s
Aperture Range	Panorama:F1.0 Detail:F1.67~F3.67
Aperture Type	Panorama:Fixed Detail:Auto(P-Iris)
Field of View	Panorama: 190°±10°(H), 75°±10°(V) Detail: 58°~2.8°(H), 33.9°~1.7°(V), 64.8°~3.3°(D)
Focus Control	Panorama:N/A Detail:Auto/Semi-auto/Manual
Close Focus Distance	Panorama:2000mm Detail:500mm~5000mm

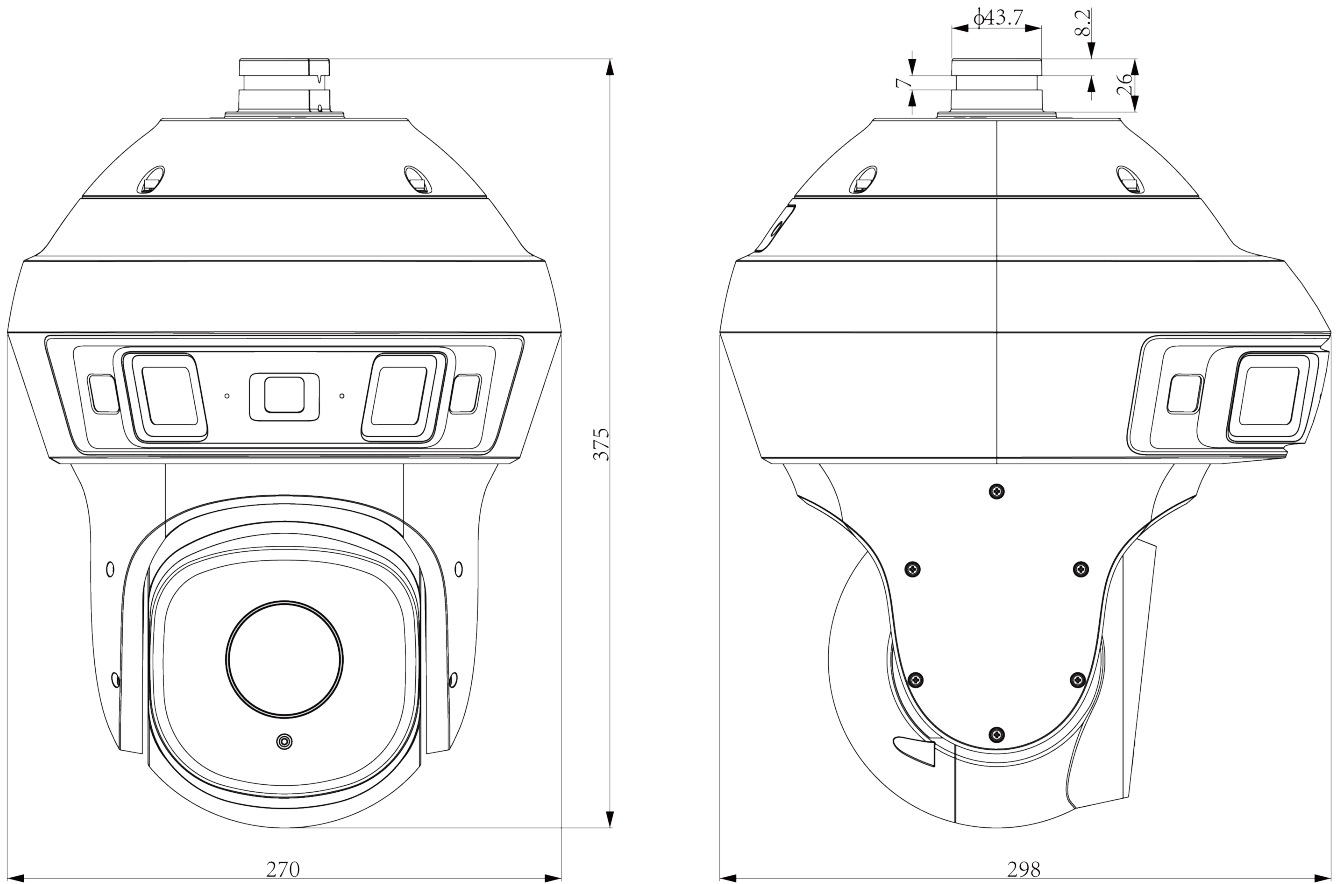
DORI Distance	Panorama: Detect:45.5m Observe:18.1m Recognize:9.1m Identify:4.6m Detail: Detect:1980m Observe:785m Recognize:396m Identify:198m
Pan&Tilt	
Pan Range	0~360°(P)
Pan Speed	Manual Speed:0.1°~200°/s Preset Speed:240°/s
Tilt Range	-16°~90°(T) (Default -3°~90°(T))
Tilt Speed	Manual Speed:0.1°~120°/s Preset:180°/s
3D Position	Yes
Preset	500
Cruise	16(up to 32 presets per cruise)
Scan	8
Pattern	8,each with 600s memory or 1000 orders
Scheduled Task	Preset,Cruise,Scan,Pattern
North Point	Yes(Manual setting)
Power-off Memory	Yes
Illuminator	
IR LEDs	Panorama:N/A Detail:10
IR Distance	Panorama:N/A Detail:150m
Wavelength	Panorama:N/A Detail:850nm
IR Irradiation Angle	Panorama:N/A Detail:Yes
White LEDs	Panorama:3 Detail:4
Whitelight Distance	Panorama:30m Detail:30m
Laser	Panorama:N/A Detail:N/A
Laser Distance	Panorama:N/A Detail:N/A

Compression Standard	
Video Compression	S+265/H.265/H.264B/H.264M/H.264H/Motion JPEG
Video Bit Rate	32Kbps~16Mbps
Audio Compression	G.711A/G.711U/ADPCM_D/AAC_LC
Audio Sampling Rate	8kHz/32kHz/48kHz
Image	
Max. Resolution	Panorama:3840×1568@30fps Detail:2560×1440@30fps
Main Stream	Panorama: PAL:25fps(3840×1568,3632×1480) NTSC:30fps(3840×1568,3632×1480) Detail: PAL:25fps(2560×1440,2304×1296,1920×1080,1280×720) NTSC:30fps(2560×1440,2304×1296,1920×1080,1280×720)
Sub Stream	Panorama: PAL:25fps(1200×488,960×392) NTSC:30fps(1200×488,960×392) Detail: PAL:25fps(704×576,704×288,352×288,640×360) NTSC:30fps(704×480,704×240,352×240,640×360)
Third Stream	Panorama:N/A Detail: PAL:25fps(704×576,704×288,352×288,640×480) NTSC:30fps(704×480,704×240,352×240,640×480)
BLC	Yes
HLC	Yes
AGC	Yes
3DNR	Yes
White Balance	Auto/Semi-Auto/Manual/Sunshine/Nature Light/Warmlight Lamp/Daylight Lamp/Filament Lamp/Lock White Balance
ROI	Panorama:7 fixed rectangles and 1 dynamic tracking focus area for each main and secondary stream Detail:7 rectangular 3D fixed focus areas,supporting 1 rectangular dynamic tracking ROI
OSD	Panorama: 5 regions(Each region can have a maximum of 127 characters ,up to 5 lines) Detail: 5 regions(Each region can have a maximum of 127 characters ,up to 5 lines); Panorama: 16*16/32*32/48*48/64*64/96*96/adaptable size Detail: 16*16/32*32/48*48/64*64/96*96/adaptable size; Vector/Lattice
Defog	Yes
Flip	Panorama:N/A Detail:Normal/Horizontal Mirror/Vertical Mirror/Inverted Flip

Regional Exposure	Panorama:N/A Detail:Yes
Regional Focus	Panorama:N/A Detail:Yes
Demist	Yes
Privacy Mask	Panorama:8 regions Detail:24 regions(Up to 4 blocks in the same scene)
Feature	
General Alarm	Panorama:Motion Detection Detail:Motion Detection; Panorama:Mask Alarm Detail:Mask Alarm; Alarm Input
Exceptions Alarm	Disk Full; Disk R/W Error; Recording Exception; IP Address Conflict; MAC Address Conflict; FTP Server Exception ; Network cable disconnected
Linkage Method	Send Email; Trigger Sound; Trigger Warmlight; Trigger Recording; Trigger Capture; Notify Surveillance Center; Alarm Output
Video Analytics	Human/Vehicle Classification; Panorama:Tripwire Detail:Tripwire; Double Tripwire; Perimeter; Panorama:N/A Detail:Object Abandon; Panorama:N/A Detail:Object Missing; Panorama:Heatmap Detail:N/A; Panorama:N/A Detail:Loitering; Panorama:N/A Detail:Running; Panorama:N/A Detail:Parking; Panorama:N/A Detail:People Counting; Panorama:N/A Detail:Crowd Detection; Panorama:N/A Detail:Safety Helmet Detection; Panorama:N/A Detail:On Duty Detection; Panorama:Video Abnormal Detail:Video Abnormal; Panorama:Audio Abnormal Detail:N/A
Auto Early Warning(AEW)	Yes
Auto-Tracking	Yes
Face Mode	Panorama:N/A Detail:Face Capture
Face Capture Performance	60; 19; ≤60m; Detect up to 32 faces at the same scene; Capture up to 16 faces at the same scene; Capture rate ≥99%(continuous scene with 10 people or less); Gender 85%,age (±5) 85%,mask 90%,glasses 85%,beard 80% (less than 10 people)
Network	
ANR	Yes
Protocols	RTSP; RTMP; HTTP; HTTPS; TCP/IP; UDP; UPnP; ICMP; IGMP; SNMP v1\2\3; DHCP; DNS; DDNS; Easy DDNS; NTP; SMTP; TLS v1.2; SSL; 802.1x; QoS; IPv4; IPv6; PPPoE; SSH; Unicast; Multicast; ARP; RTP; SRTP; FTP; SFTP
System Compatibility	P2P; ONVIF(Profile S/T/G/M); SDK; CGI; RTSP; RTMP; HTTP PUSH
Remote Connection	≤7

User/Host	32users, Level 4:Admin/Browse/Browse+Control/Browse+Control+Set
Client	Easy7 VMS
Mobile Client	EasyLive Plus
Web	IE10+; Firefox52+; Edge89+; Safari11+; Chrome57+
Interface	
Communication Interface	1*RJ45 (10/100/1000Base-T)
Audio I/O	1*Input Impedance 1k Ω ,2.0~2.4Vp-p; 1*Output Impedance 600 Ω
Alarm I/O	2*Switching; 1*Switching,Voltage \leq DC24V,Current \leq 1A
Built-in Speaker	1,4 Ω 4W
Reset Button	Yes
On-board Storage	Support microSD/microSDHC/microSDXC card,up to 512GB
General	
Web Client Language	19 languages: Simplified Chinese/English/Traditional Chinese/Spanish/Italian/Korean/Turkish/Russian/Thai/Polish/ French/Dutch/Hebrew/Vietnamese/Arabic/German/Ukrainian/Portuguese/Albanian
Operating Temperature	-30 $^{\circ}$ C~65 $^{\circ}$ C(-22 $^{\circ}$ F~149 $^{\circ}$ F)
Operating Humidity	\leq 95%RH
Storage Temperature	-30 $^{\circ}$ C~65 $^{\circ}$ C(-22 $^{\circ}$ F~149 $^{\circ}$ F)
Storage Humidity	10%~95%RH(non-condensing)
Power Supply	AC24V \pm 25%\DC24V \pm 10%; PoE:IEEE 802.3bt
Power Consumption	29W(IR OFF) ; 55W(IR ON)
Protection	Surge4000V; ESD6000V; IP66
Material	Metal+plastic
Boundary Dimensions	298(D)375(H)mm
Package Dimensions	385(L)350(W)540(H)mm
GrossWeight	9.41kg
NetWeight	5.33kg

DIMENSIONS (Unit: mm)



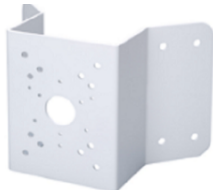
Assembly diagram of Junction Box



DF20Y



TC-P32EM



A35



DF21Y



A36